

D SERIES DRUM FILTER CART



All-In-One Convenience!

All-in-one convenience is what the D Series Drum filter cart is all about. The simple practicality of this cart allows the operator to dispense and filter oil out of a 55 gallon drum on wheels. A magnetic kickstand adds stability and ensures the drum will not tip over. The drum filter cart has ability to filter oil viscosities up to 600cSt (ISO VG 680) at 100° F within ambient temperature ranges of -15° F to 150° F.

Typical Applications:

- Pre-filtering new oil
- Transferring oils
- Topping off reservoirs
- Dispensing new oil

ForFluids.com

D SERIES DRUM FILTER CART

Don't see the options you need?
Contact For Fluids at 1(630) 922-5020
for more information.

Performance:

For filtering mineral and synthetic based oils (hydraulic oils, gear oils and turbine oils) with a maximum operating viscosity range of ISO VG 680 (3000ssu/648cSt) at 100 °F within ambient temperature ranges of -15 °F to 150 °F.

Standard Features:

Frame:	Carbon steel; two hard rubber tires & two swivel casters
Paint:	Multiple color options available
Motor:	1HP, 115vac, 60Hz or Pneumatic
Filter Heads:	Medium pressure, cast aluminum heads
Pump:	Heavy duty, cast steel gear pump. Available in 1, 2, 5 and 10 GPM
Connections:	Various quick connect options available
Hoses:	7ft. Clear PVC, steel reinforced hose or hydraulic hose
Power Switch:	Sealed on/off power switch
Cord Reel:	40ft. retractable electric cord reel
Filter Indicators:	Slide bar indicators trigger at 50psid when elements need to be changed
Pump Relief:	Opens at 150psi
Weight:	Approx. 175lbs (will vary depending on options)
Dimensions:	Approx. 23"L x 21"W x 59"H

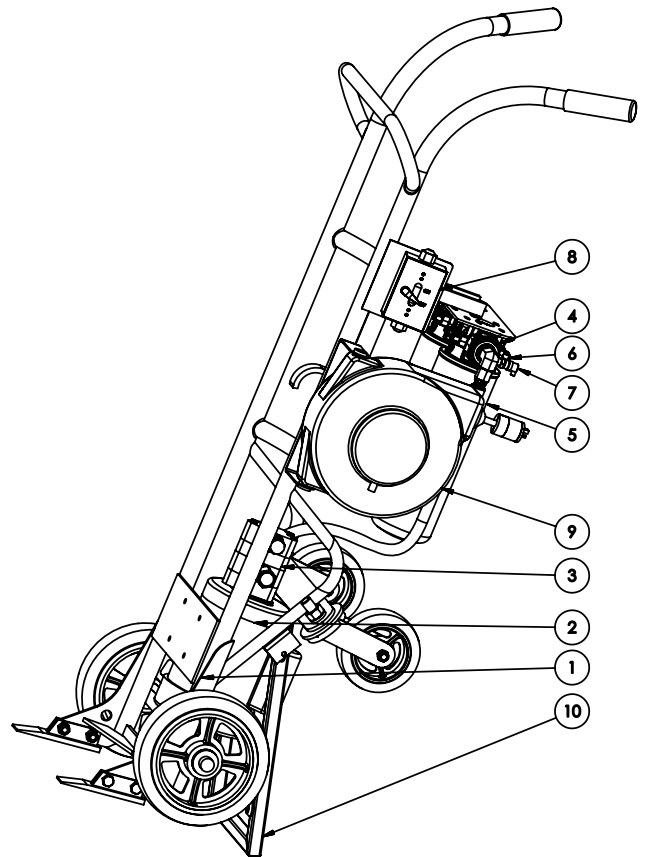
Replacement Elements:

Part Number	BETA Rating	Desired Cleanliness Level (ISO Code)
P1066	β4(c)=2000	14/12/9 - 13/11/8
P1065	β7(c)=2000	18/16/13 - 15/13/10
P1063	β10(c)=1000	19/17/14 - 18/16/13
P1064	β25(c)=2000	20/18/15 - 19/17/14
P1048WR	Water Removal	

All D Series elements measure 5" x 14".

Components:

Item Number	Description	Qty.
1	Heavy Duty Drum Cart	1
2	Motor	1
3	Gear Pump	1
4	Filter Head	2
5	Filter Element	2
6	Filter Indicator	2
7	Sample Port	2
8	Switch On/Off	1
9	Cord Reel	1
10	Kick Stand	1



ForFluids.com

5365 Walnut Ave Downers Grove, IL 60515 | 630-922-5020 | ForFluids.com